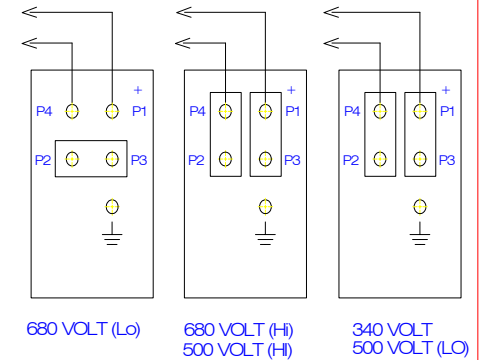
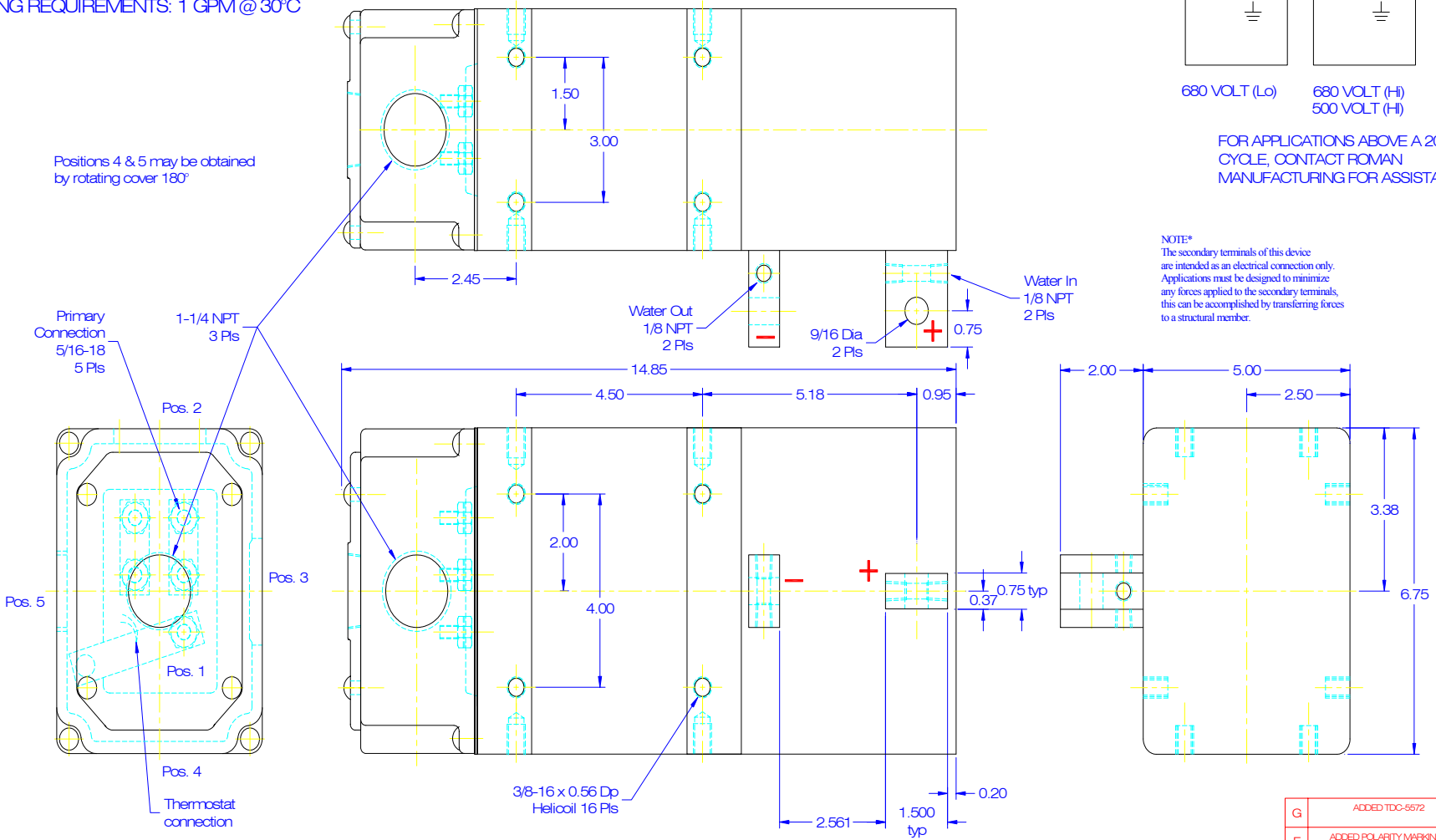


MODEL	KVA @ 50% DC	PRIMARY VOLT/FREQ	SECONDARY VOLTAGE (DC)		TURNS RATIO		WEIGHT LBS
			LO-TAP	HI-TAP	LO-TAP	HI-TAP	
TDC-1057	40	680/1200	4.47	- 8.95	152:1	76:1	50
		340/1200	n/a	- 4.47	n/a	76:1	
TDC-5572	40	500/1000	4.31	- 8.62	116:1	58:1	50

COOLING REQUIREMENTS: 1 GPM @ 30°C



FOR APPLICATIONS ABOVE A 20% DUTY CYCLE, CONTACT ROMAN MANUFACTURING FOR ASSISTANCE.

NOTE*
The secondary terminals of this device are intended as an electrical connection only. Applications must be designed to minimize any forces applied to the secondary terminals, this can be accomplished by transferring forces to a structural member.

G	ADDED TDC-5572	KLV	27Jan05
F	ADDED POLARITY MARKINGS	RS LA	04Oct04
E	ADDED DUTY CYCLE NOTE	CK SFR	07Mar03
D	ADDED NOTE ON PAD LOADING	BLD SFR	17Apr02
REV	DESCRIPTION	DATE	
ROMAN			
SCALE: NONE	APPROVED BY:	DRAWN BY: ACG	
DATE: 14AUG97		REVISED:	
POWER SUPPLY ASSY TDC-1057			DRAWING NUMBER:
			1010312

DC-3049 = TDC-1057

1010312